



STERIVALVES
Process Advantage

OUR COMPANY

SteriValves was established in 1999 with the aim to supply **high quality** products and services to the **pharmaceutical, chemical, nuclear and food industries**.

Over the years the company has invented and made **valves** and **accessories** that can satisfy the most rigorous applicable standards, also thanks to the tight cooperation of machine manufacturers and end users. Our core business is made by the **interception butterfly valves** and the **flow regulation rotary valves**. Today **SteriValves** is a market leader for the **high containment valves** as well.

SteriValves has chosen to work according to the **highest quality** standards both for the **manufacturing processes** and for the **working environment (ISO 9001:2015 and OHSAS 18001:1999)** and according to the **GMP** (Good Manufacturing Practice) guide lines and **EHEDG** (European Hygienic Engineering & Design Group) guide lines. All **SteriValves** products can be supplied with the following **certifications**:

- ATEX directive 94/9/CE
- FDA (U.S. Food and Drugs Administration) conformity declaration
- EN 10204 Inspection certificate 3.1
- Declaration of conformity to Regulations (CE) 1935/2004, 2023/2006, 10/2001 for contact with food materials
- Materials conformity declaration to USP class VI
- PED directive 97/23/CE
- Gas tightness test EN 12266-1



OUR PRODUCTION

INTERCEPTION VALVES

The interception valves are butterfly valves where the vane rotates around its axis to close the free section all the way down to shut the passage. Those valves are used when the flow regulation is not required.

- STERIVALVE
- FLEXIVALVE
- PHARMALITE



FLOW REGULATION VALVES

The flow regulation valve moving part is a rotor and it is used to control the product flow rate by means of the cavities geometric capacity and by the actuator speed.

- ROTOVALVE LIGHT
- ROTOVALVE PLUS
- ROTOSPHERE



FINE DOSING VALVES

The fine dosing valves are used where an accurate dosing of the product is required. The valve has two moving parts, a main rotor to discharge the bulk of the product and a small rotor to achieve the accurate product dosing. The independent functioning of the two rotors allows a fast and precise dosing that is impossible with other valves.

- ROTODOSER



HIGH CONTAINEMENT VALVES

The high containment valves are used for the application where the operator and/or the product protection is central to the plant operation. The system is composed by two half-valves, an active valve (that carries the actuation) and a passive valve. Once that the two parts get together, the two half-vanes form a single interception device that allows the product transfer. After the discharge the two half-valves limit the environment contamination.

- STERISPLIT



DEVIATION VALVES

The deviation valves for solid bulk products have one inlet and two outlets. An interception device diverts the product flow from one outlet to the other outlet alternatively.

- DIVERTER



DE-LUMPING

A lump breaker (also known as de-lumper) is a device used whenever the powders tend to form aggregates. Those devices are used in the pharmaceutical, chemical, food, and nuclear sectors where they have to comply with rigorous safety and cleanability standards.

- ROTOCRUSHER



ACCESSORIES

- PART TURN ACTUATORS AND MOTORS
- DRUMS
- VIBRATORS
- SILCAP
- SILEND



DE-LUMPING

ROTOCRUSHER

The Rotocrusher is a lump breaker. It is used to break dry and wet bulk products. The flow rate goes from 750 to 3000 kg/h.



ACCESSORIES

QUICK RELEASE SYSTEM

It allows the valve disassembling from the actuator with no need of tools.



ACCESSORIES

TRI-CLAMP

Quick and clean connection according to BS, DIN and ISO norms.



INTERCEPTION

STERIVALVE

The Sterivalve is a butterfly valve used for the interception of solid products (powders, granulates or other).

DOSING

ROTOVALVE PLUS

The Rotovalve Heavy is made for the feeding and the volumetric dosing of solid bulk products. The labyrinth seal makes the valve suitable for the applications where the gasket wearing is not acceptable.



FLEXIBLE CONNECTION

SILEND

Flexible connection designed to deal with vibrations and misalignments.

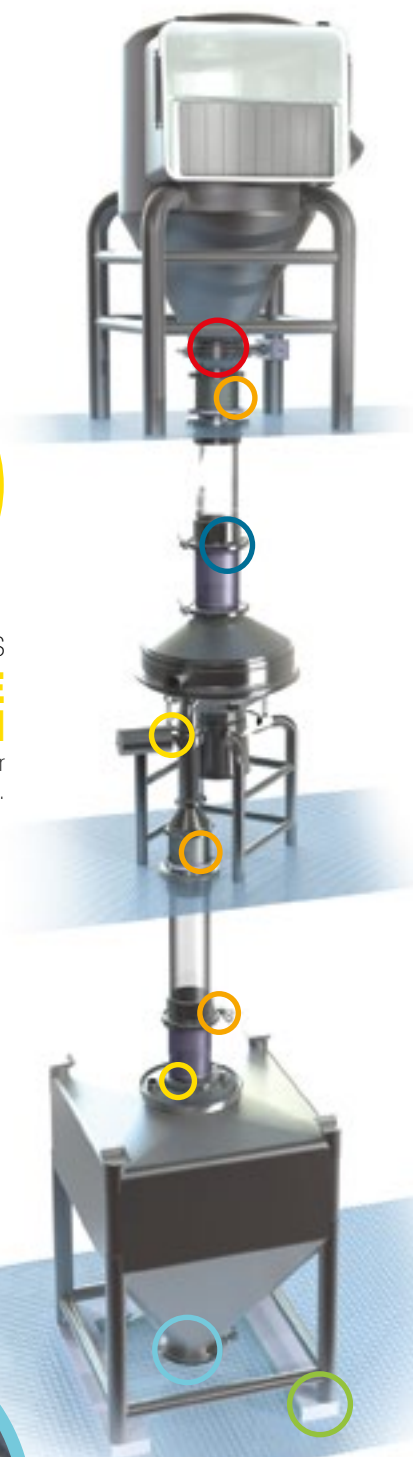
COMPONENTS

BIN

COMPONENTS

WEIGHING PLATFORM

Components for dispensing systems for the batch preparation with sieving and in line weighing.



INTERCEPTION

SANITARY BUTTERFLY VALVE

The sanitary butterfly valve is used with solids, liquid and gaseous media and it is tight up to 10 bars in every application. It can be welded or connected to a DIN or BS clamped connection.



FLEXIBLE CONNECTION

SILEND

Flexible connection designed to deal with vibrations and misalignments.



INTERCETTAZIONE

PHARMALITE

Single eccentric butterfly valve with inflatable gasket to prevent the gasket shredding.



ACCESSORIES

SILCAP

The Silcap is a protective cover for the valve or the pipe end with tri-clamp or Steriflange and it avoids the cross contamination risk after the transfer of the product from/to a container.



INTERCEPTION

STERIVALVE

The Sterivalve is a butterfly valve used for the interception of solid products (powders, granulates or other).



DIVERTING

DIVERTER

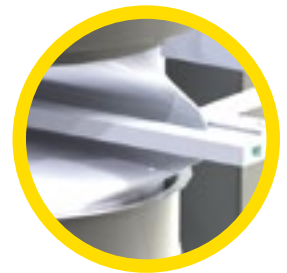
The diverter is a system to deviate the flow of solid dosage products during a gravity discharge such as with powders and granules.

Components for particle size reduction system with pneumatic conveyor for powders, granulates or other solid products.

ACCESSORIES

ACTUATION

The right actuation device is necessary for the proper functioning of the valve. Sterivalves propose the pneumatic actuator or motor for the specific application.



ACCESSORIES

STERILINER

PE Liner for unloading product in drums.



ACCESSORIES

STERIDRUM

Made according to the GMP guidelines, the drum has a clamp closing lid and other accessories on demand such as: handles, tri-clamp spigots, sight glasses and other items.

Components for dosing and weighing systems for the filling of bags and drums. Bags made with continuous liner system by means of welding or mechanical closing.

HIGH CONTAINMENT
STERISPLIT

The SteriSplit high containment valve is used for highly potent pharmaceutical product transfer. It is made by two parts, an active valve and a passive valve. Both are equipped with a half-vane and a gasket that are coupled together when transferring the product.



INTERCEPTION
FLEXIVALVE

The Flexivalve is designed to interrupt the flow of fragile products such as capsules, tablets and all those elements that can be easily damaged by the movement of a steel butterfly.



ACCESSORIES

LINEAR VIBRATOR

The high frequency pneumatic linear vibrator can be used to facilitate the discharge of non-free flowing products. It can be fixed by means of a bolted flange or with a suction cup.



FEEDING

ROTOVALVE LIGHT

The Rotovalve Light is designed to regulate the flow of solid products such as powders and granules; it is used for the feeding of machines and hoppers.

Components for feeding systems for powders and granulates, even with high containment.



Via Enrico Mattei, 293/N - 55100 Lucca, Italy
T +39 0583 440 560 F +39 0583 440 559
www.sterivalves.eu

